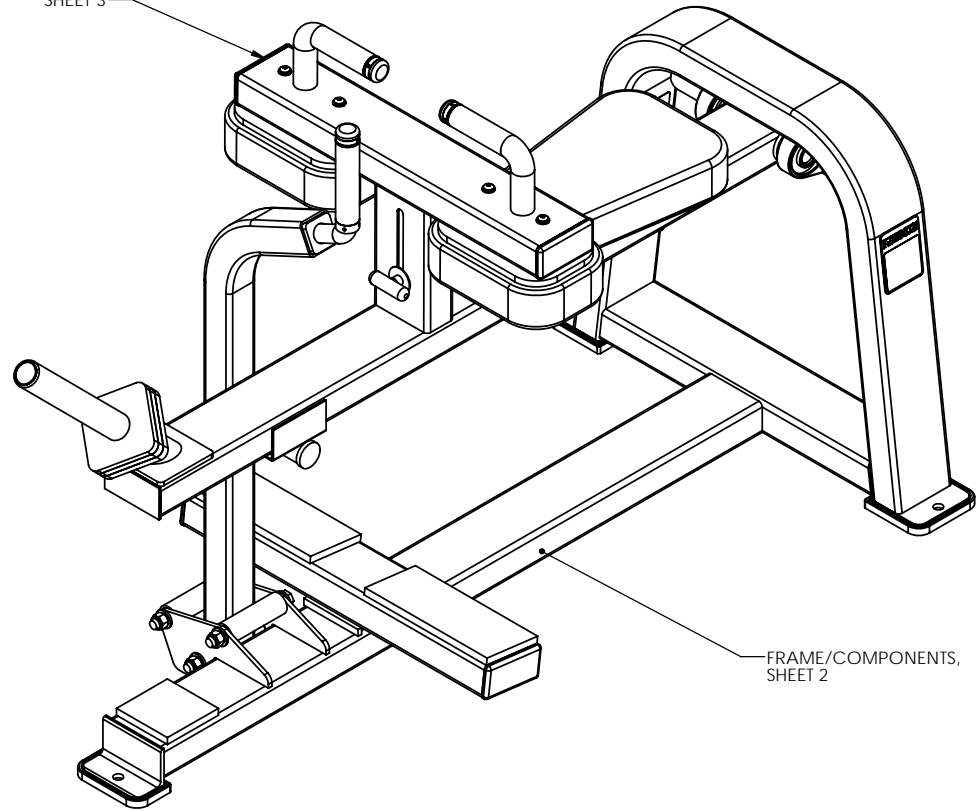
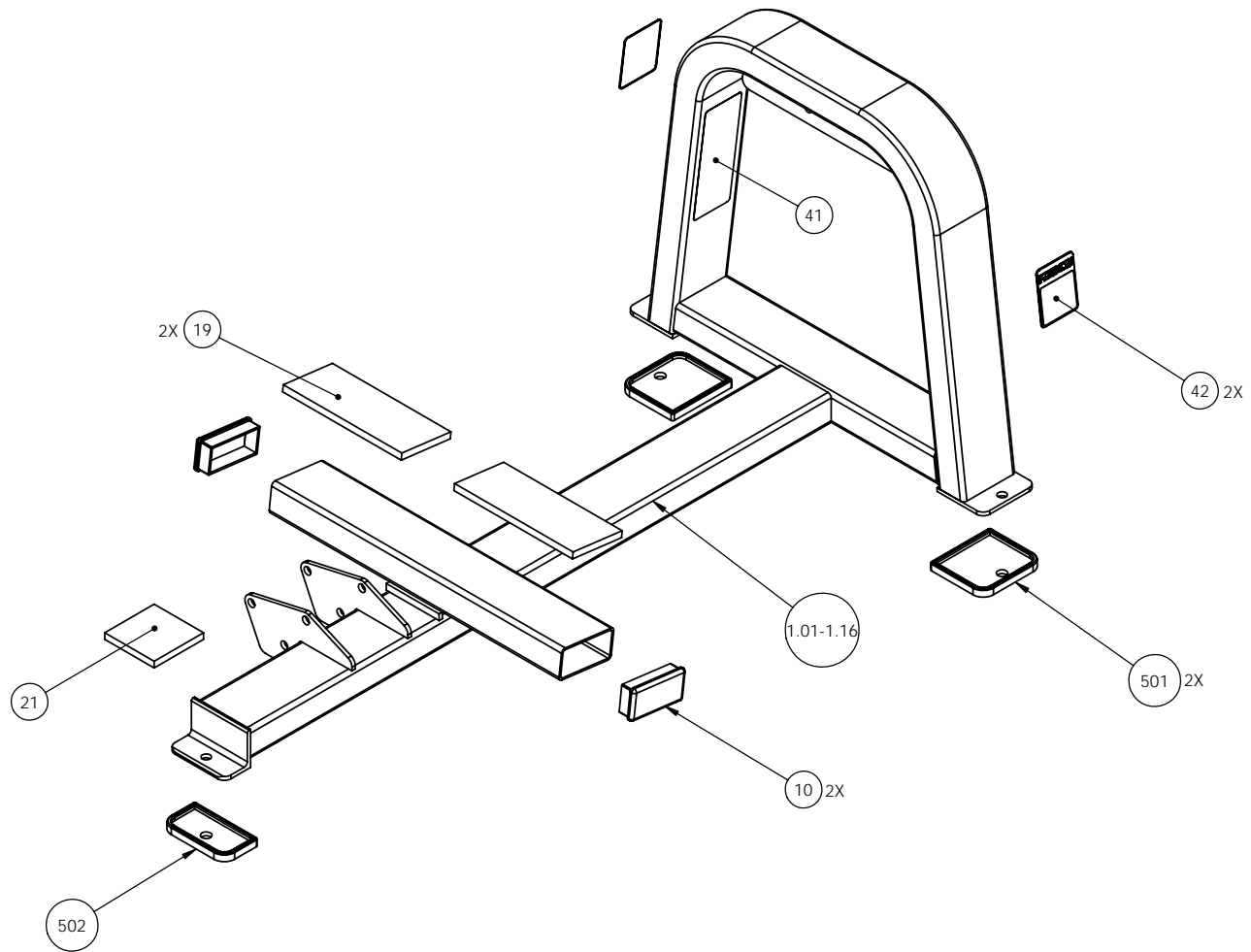


WEIGHT HOLDER,
SHEET 3

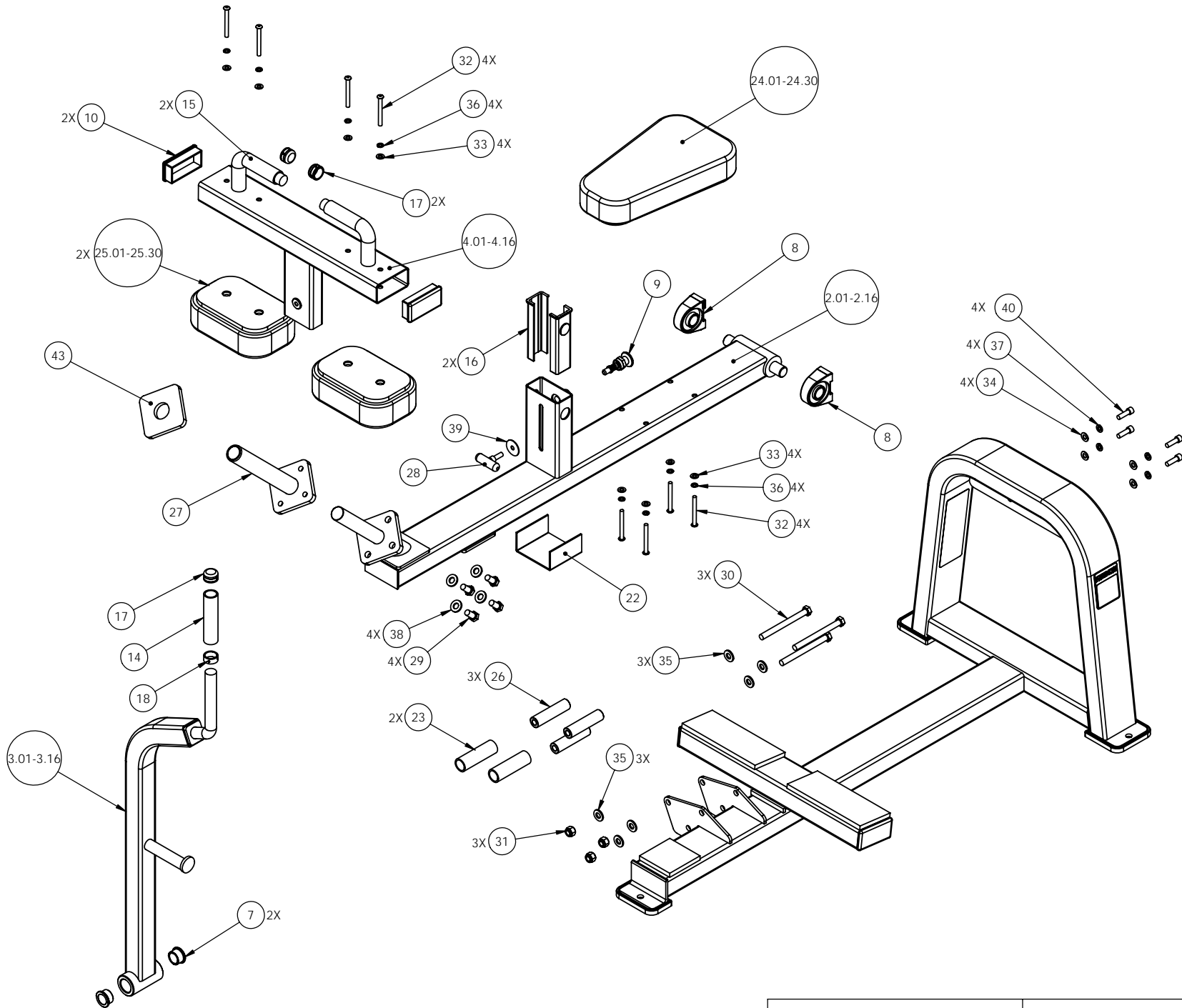


FRAME/COMPONENTS,
SHEET 2

616	P/N : CW30961-101	SUBREV : B
DRAWN BY : CT	DATE : 10.12.05	SHEET 1 OF 3



616	P/N : CW30961-101	SUBREV : B
DRAWN BY : CT	DATE : 10.12.05	SHEET 2 OF 3



616	P/N : CW30961-101	SUBREV : B
DRAWN BY : CT	DATE : 10.12.05	SHEET 3 OF 3

616 Seated Calf

Part Number	Description	Bubble Number
CW616SA1-211	ASSY,FRAME,MAIN,616,SKY WHITE	1.01
CW616SA1-221	ASSY,FRAME,MAIN,616,BLACK	1.02
CW616SA1-231	ASSY,FRAME,MAIN,616,RED	1.03
CW616SA1-241	ASSY,FRAME,MAIN,616,PLAT SPRKLE	1.04
CW616SA1-251	ASSY,FRAME,MAIN,616,SILVER	1.05
CW616SA1-261	ASSY,FRAME,MAIN,616,BLUE	1.06
CW616SA1-271	ASSY,FRAME,MAIN,616,CHARCOAL	1.07
CW616SA1-281	ASSY,FRAME,MAIN,616,CATH GRAY	1.08
CW616SA1-291	ASSY,FRAME,MAIN,616,SILVER VIEN	1.09
CW616SA1-311	ASSY,FRAME,MAIN,616,STONE HG	1.11
CW616SA1-321	ASSY,FRAME,MAIN,616,TITANIUM HG	1.12
CW616SA1-331	ASSY,FRAME,MAIN,616,WHITE GLOSS	1.13
CW616SA1-341	ASSY,FRAME,MAIN,616,BLACK ONYX	1.14
CW616SA1-351	ASSY,FRAME,MAIN,616,LT. BRONZE	1.15
CW616SA1-361	ASSY,FRAME,MAIN,616,SAPPHIRE BL	1.16
CW616SA2-211	ASSY,WEIGHT ARM,616,SKY WHITE	2.01
CW616SA2-221	ASSY,WEIGHT ARM,616,BLACK	2.02
CW616SA2-231	ASSY,WEIGHT ARM,616,RED	2.03
CW616SA2-241	ASSY,WEIGHT ARM,616,PLAT SPKLE	2.04
CW616SA2-251	ASSY,WEIGHT ARM,616,SILVER	2.05
CW616SA2-261	ASSY,WEIGHT ARM,616,BLUE	2.06
CW616SA2-271	ASSY,WEIGHT ARM,616,CHARCOAL	2.07
CW616SA2-281	ASSY,WEIGHT ARM,616,CATH GRY	2.08
CW616SA2-291	ASSY,WEIGHT ARM,616,SILVER VIEN	2.09
CW616SA2-311	ASSY,WEIGHT ARM,616,STONE HG	2.11
CW616SA2-321	ASSY,WEIGHT ARM,616,TITANIUM HG	2.12
CW616SA2-331	ASSY,WEIGHT ARM,616,WHITE GLOSS	2.13
CW616SA2-341	ASSY,WEIGHT ARM,616,BLACK ONYX	2.14
CW616SA2-351	ASSY,WEIGHT ARM,616,LIGHT BRONZE	2.15
CW616SA2-361	ASSY,WEIGHT ARM,616,SAPPHIRE BLUE	2.16
CW616SA3-211	ASSY,PIVOT ARM,616,SKY WHITE	3.01
CW616SA3-221	ASSY,PIVOT ARM,616,BLACK	3.02
CW616SA3-231	ASSY,PIVOT ARM,616,RED	3.03
CW616SA3-241	ASSY,PIVOT ARM,616,PLAT SPKLE	3.04
CW616SA3-251	ASSY,PIVOT ARM,616,SILVER	3.05
CW616SA3-261	ASSY,PIVOT ARM,616,BLUE	3.06
CW616SA3-271	ASSY,PIVOT ARM,616,CHARCOAL	3.07
CW616SA3-281	ASSY,PIVOT ARM,616,CATH GRY	3.08
CW616SA3-291	ASSY,PIVOT ARM,616,SILVER VIEN	3.09
CW616SA3-311	ASSY,PIVOT ARM,616,STONE HG	3.11
CW616SA3-321	ASSY,PIVOT ARM,616,TITANIUM HG	3.12
CW616SA3-331	ASSY,PIVOT ARM,616,WHITE GLOSS	3.13
CW616SA3-341	ASSY,PIVOT ARM,616,BLACK ONYX	3.14
CW616SA3-351	ASSY,PIVOT ARM,616,LIGHT BRONZE	3.15
CW616SA3-361	ASSY,PIVOT ARM,616,SAPPHIRE BLUE	3.16
CW616SA4-211	ASSY,THIGH ADJUSTMENT,616,SKY WHITE	4.01
CW616SA4-221	ASSY,THIGH ADJUSTMENT,616,BLACK	4.02
CW616SA4-231	ASSY,THIGH ADJUSTMENT,616,RED	4.03
CW616SA4-241	ASSY,THIGH ADJUSTMENT,616,PLAT SPKL	4.04

CW616SA4-251	ASSY,THIGH ADJUSTMENT,616,SILVER	4.05
CW616SA4-261	ASSY,THIGH ADJUSTMENT,616,BLUE	4.06
CW616SA4-271	ASSY,THIGH ADJUSTMENT,616,CHARCOAL	4.07
CW616SA4-281	ASSY,THIGH ADJUSTMENT,616,CATH GRY	4.08
CW616SA4-291	ASSY,THIGH ADJUSTMENT,616,SILVER VI	4.09
CW616SA4-311	ASSY,THIGH ADJUSTMENT,616,STONE HG	4.11
CW616SA4-321	ASSY,THIGH ADJUSTMENT,616,TITANIUM	4.12
CW616SA4-331	ASSY,THIGH ADJUSTMENT,616,WHITE GLO	4.13
CW616SA4-341	ASSY,THIGH ADJUSTMENT,616,BLACK ONY	4.14
CW616SA4-351	ASSY,THIGH ADJUSTMENT,616,LIGHT BRO	4.15
CW616SA4-361	ASSY,THIGH ADJUSTMENT,616,SAPPHIRE	4.16
CW10043-134	BUSHING, BRONZE, 1" ID X 1 1/4" OD	7
CW12406-101	PILLOW BLOCK, BEARING, 2 BOLT	8
CW30165-751	ASSY, POP PIN, 0.450 DIA HANDLE, B	9
CW11311-102	ENDCAP, REC TUBE, 2X4, BLK PLASTIC	10
CWGR2605-000	GRIP,RUBBER, 1" DIA, 5"	14
CWGR2607-938	GRIP,RUBBER, 1" DIA, 7-15/16"	15
CWAC1236-101	GUIDE INSERT, PLASTIC WITHOUT HOLE,	16
CWAC218-901	HANDLE END CAP W/SET SCREWS, DIA 1"	17
CWAC219-901	HN DL RETAINER RNG, W/SS,1.020" I.D.	18
CW30014-115	CUT PIECE, CREPE, 7/16 X 3 3/4 X 9	19
CWCP1033-101	CUT PIECE, CREPE, 7/16 X 4 X 4, 1 H	20
CW30014-113	CUT PIECE, CREPE, 7/16 X 3 3/4 X 3	21
CWCP8104-000	CP, ABS CHANNEL, 1/8 X 2 X 4 X 4	22
CWGR2604-000	GRIP,RUBBER, 1" DIA, 4	23
CWPD1207A-101	PAD,5X9X14.5,4HOLES,BLACK	24.01
CWPD1207A-102	PAD,5X9X14.5,4HOLES,RYL BL	24.02
CWPD1207A-103	PAD,5X9X14.5,4HOLES,DVE GRY	24.03
CWPD1207A-104	PAD,5X9X14.5,4HOLES,CROCUS	24.04
CWPD1207A-105	PAD,5X9X14.5,4HOLES,GROTTO	24.05
CWPD1207A-106	PAD,5X9X14.5,4HOLES,,GRAPHITE	24.06
CWPD1207A-107	PAD,5X9X14.5,4HOLES,RED	24.07
CWPD1207A-108	PAD,5X9X14.5,4HOLES,CHN GRN	24.08
CWPD1207A-109	PAD,5X9X14.5,4HOLES,TURQSE	24.09
CWPD1207A-110	PAD,5X9X14.5,4HOLES,RASP	24.1
CWPD1207A-111	PAD,5X9X14.5,4HOLES,PLUM	24.11
CWPD1207A-112	PAD,5X9X14.5,4HOLES,REGIMENT	24.12
CWPD1207A-113	PAD,5X9X14.5,4HOLES,SPC BLUE	24.13
CWPD1207A-115	PAD,5X9X14.5,4HOLES,BLK LTHR	24.15
CWPD1207A-117	PAD,5X9X14.5,4HOLES,PUTTY	24.17
CWPD1207A-118	PAD,5X9X14.5,4HOLES,IMPRL BL	24.18
CWPD1207A-119	PAD,5X9X14.5,4HOLES,YEW GRN	24.19
CWPD1207A-120	PAD,5X9X14.5,4HOLES,DSTY JD	24.2
CWPD1207A-121	PAD,5X9X14.5,4HOLES,TER COT	24.21
CWPD1207A-122	PAD,5X9X14.5,4HOLES,PAPRIKA	24.22
CWPD1207A-123	PAD,5X9X14.5,4HLS,ASH LTHR	24.23
CWPD1207A-124	PAD,5X9X14.5,4HLS,CERULAN LTHR	24.24
CWPD1207A-125	PAD,5X9X14.5,4HLS,CHARCOAL LTHR	24.25
CWPD1207A-126	PAD,5X9X14.5,4HLS,HUNTER LTHR	24.26
CWPD1207A-127	PAD,5X9X14.5,4HLS,MOSS LTHR	24.27
CWPD1207A-128	PAD,5X9X14.5,4HLS,SPICE LTHR	24.28